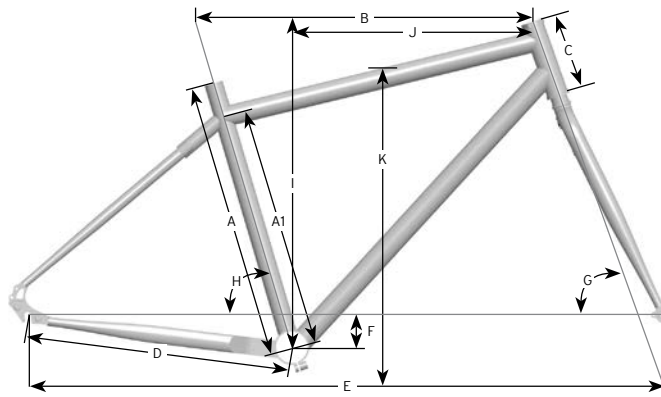


FRAME GEOMETRIES

| | CHIYODA CHIYODA XPRESS* | | | THE CITY / GT THE CITY XPRESS* THE CITY GTS | | | BLACKTOP SCRAMBLER | | |
|--|----------------------------|-----------------|-----------------|---|-----------------|-----------------|-----------------------|-----------------|-----------------|
| FRAME SIZE | M | L | XL | M | L | XL | M | L | XL |
| Seat tube length mm [A] | 470 | 510 | 580 | 470 | 510 | 580 | 470 | 510 | 580 |
| Seat tube length mm [A1] | 410 | 450 | 520 | 410 | 450 | 520 | 410 | 450 | 520 |
| Seat tube length mm [A1] Trapez** | - | - | - | - | - | - | - | - | - |
| Seat tube length mm [A1] Xpress Trapez** | - | - | - | - | - | - | - | - | - |
| Top tube length mm [B] | 575 | 595 | 615 | 575 | 595 | 615 | 575 | 595 | 615 |
| Head tube mm [C] | 135 | 165 | 185 | 135 | 165 | 185 | 135 | 165 | 185 |
| Chainstay length mm [D] | 455 | 455 | 455 | 455 | 455 | 455 | 455 | 455 | 455 |
| Wheelbase mm [E] | 1085 | 1100 | 1115 | 1085 | 1100 | 1115 | 1085 | 1100 | 1115 |
| Bottom bracket drop mm [F] | 55/45 | 55/45 | 55 / 45 | 55/45 | 55/45 | 55 / 45 | 55 | 55 | 55 / 45 |
| Head tube angle ° [G] | 70,5 | 71 | 71.5 | 70,5 | 71 | 71.5 | 70,5 | 71 | 71.5 |
| Seat tube angle ° [H] | 73,5 | 73 | 73 | 73,5 | 73 | 73 | 73,5 | 73 | 73 |
| Stack mm [I] | 555 | 585 | 625 | 555 | 585 | 625 | 555 | 585 | 625 |
| Reach mm [J] | 410 | 415 | 425 | 410 | 415 | 425 | 410 | 415 | 425 |
| Stand over clearance mm [K] | 715 | 750 | 815 | 735 | 770 | 815 | 735 | 770 | 815 |
| Stand over clearance mm [K] Trapez** | - | - | - | - | - | - | - | - | - |
| Stand over clearance [K] Xpress Trapez** | - | - | - | - | - | - | - | - | - |
| max. payload rack kg | 15 | 15 | 15 | 15 | 15 | 15 | - | - | - |
| Gross load weight kg | 130 | 130 | 130 | 130 | 130 | 130 | 130 | 130 | 130 |
| Wheel size " | 26 | 26 | 26 | 28 | 28 | 28 | 28/27,5 | 28/27,5 | 28/27,5 |
| Headset size S.H.I.S. | 28,6 (11/8") | 28,6 (11/8") | 28,6 (11/8") | 28,6 (11/8") | 28,6 (11/8") | 28,6 (11/8") | 28,6 (11/8") | 28,6 (11/8") | 28,6 (11/8") |
| Seat post diameter mm | 27,2 | 27,2 | 27,2 | 27,2 | 27,2 | 27,2 | 27,2 | 27,2 | 27,2 |

* available in frame sizes M and L / ** available in frame sizes S, M and L / *** available in frame sizes M, L, XL and XXL / **** available in frame sizes M, L and XL
All data and measurements are rounded and subject to change. Stand over clearance is approximate and depending on the respective tires.



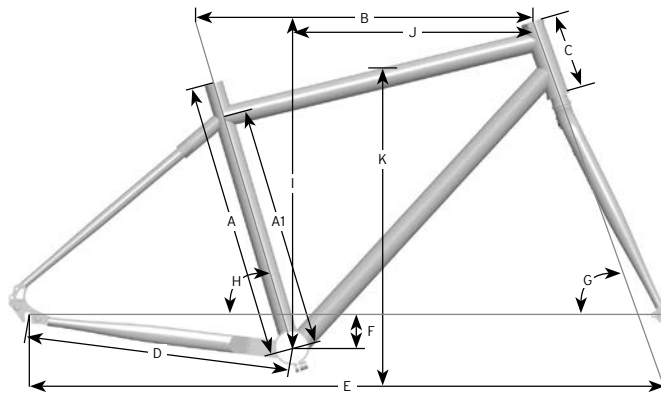
- A Seat tube length
- A1 Seat tube length
- B Top tube length
- C Head tube
- D Chainstay length
- E Wheelbase
- F Bottom bracket drop
- G Head tube angle
- H Seat tube angle
- I Stack
- J Reach
- K Stand over clearance

| OUTBACK | | | | METROPOLITAN METROPOLITAN TRAPEZ** METROPOLITAN XPRESS**** METROPOLITAN XPRESS TRAPEZ** METROPOLITAN SHOPPER** | | | | VIA VENETO VIA VENETO TRAPEZ** VIA VENETO XPRESS**** VIA VENETO XPRESS TRAPEZ** | | | |
|-----------------|-----------------|-----------------|-----------------|--|-----------------|-----------------|-----------------|--|-----------------|-----------------|-----------------|
| S | M | L | XL | S | M | L | XL | S | M | L | XL |
| 420 | 470 | 500 | 530 | 460 | 510 | 560 | 610 | 460 | 510 | 560 | 610 |
| 380 | 410 | 440 | 470 | 400 | 450 | 500 | 550 | 400 | 450 | 500 | 550 |
| - | - | - | - | 195 | 215 | 240 | - | 195 | 215 | 240 | - |
| - | - | - | - | 240 | 240 | 240 | - | 240 | 240 | 240 | - |
| 575 | 595 | 615 | 640 | 550 | 575 | 595 | 615 | 550 | 575 | 595 | 615 |
| 120 | 125 | 125 | 130 | 120 | 135 | 165 | 185 | 120 | 135 | 165 | 185 |
| 455 | 455 | 455 | 455 | 455 | 455 | 455 | 455 | 455 | 455 | 455 | 455 |
| 1128 | 1148 | 1168 | 1194 | 1065 | 1075 | 1085 | 1095 | 1065 | 1075 | 1085 | 1095 |
| 65 | 65 | 65 | 65 | 60 | 60 | 55 | 55 | 60 | 60 | 55 | 55 |
| 68 | 68 | 68 | 68 | 70 | 70,5 | 71 | 72 | 70 | 70,5 | 71 | 72 |
| 74 | 74 | 74 | 74 | 73,5 | 72,5 | 72 | 72 | 73,5 | 72,5 | 72 | 72 |
| 627 | 632 | 632 | 636 | 565 | 580 | 605 | 630 | 565 | 580 | 605 | 630 |
| 395 | 414 | 434 | 457 | 385 | 390 | 400 | 410 | 385 | 390 | 400 | 410 |
| 782 | 813 | 830 | 843 | 705 | 745 | 795 | 835 | 725 | 765 | 815 | 855 |
| - | - | - | - | 515 | 535 | 570 | - | 535 | 555 | 590 | - |
| - | - | - | - | 570 | 570 | 570 | - | 590 | 590 | 590 | - |
| - | - | - | - | 40 | 40 | 40 | 40 | 40 | 40 | 40 | 40 |
| 130 | 130 | 130 | 130 | 160 | 160 | 160 | 160 | 160 | 160 | 160 | 160 |
| 27,5 + | 27,5 + | 27,5 + | 27,5 + | 26 | 26 | 26 | 26 | 28 | 28 | 28 | 28 |
| 28,6 (11/8") | 28,6 (11/8") | 28,6 (11/8") | 28,6 (11/8") | 28,6 (11/8") | 28,6 (11/8") | 28,6 (11/8") | 28,6 (11/8") | 28,6 (11/8") | 28,6 (11/8") | 28,6 (11/8") | 28,6 (11/8") |
| 30,9 | 30,9 | 30,9 | 30,9 | 27,2 | 27,2 | 27,2 | 27,2 | 27,2 | 27,2 | 27,2 | 27,2 |

FRAME GEOMETRIES

| FRAME SIZE | AMBER ROAD*** AMBER ROAD XPRESS**** AMBER ROAD XPRESS TRAPEZ** | | | | | SILKROAD / GT SILKROAD XPLORE** | | | |
|--|--|-----------------|-----------------|-----------------|-----------------|------------------------------------|-----------------|-----------------|-----------------|
| | S | M | L | XL | XXL | S | M | L | XL |
| Seat tube length mm [A] | 460 | 510 | 560 | 610 | 650 | 460 | 510 | 560 | 610 |
| Seat tube length mm [A1] | 400 | 450 | 500 | 550 | 595 | 400 | 450 | 500 | 550 |
| Seat tube length mm [A1] Trapez** | 195 | 215 | 240 | - | - | - | - | - | - |
| Seat tube length mm [A1] Xpress Trapez** | 240 | 240 | 240 | - | - | - | - | - | - |
| Top tube length mm [B] | 550 | 580/575 | 600/595 | 620/615 | 640 | 550 | 575 | 595 | 615 |
| Head tube mm [C] | 120 | 135 | 165 | 185 | 220 | 120 | 135 | 165 | 185 |
| Chainstay length mm [D] | 455 | 455 | 455 | 455 | 475 | 440 | 440 | 455 | 455 |
| Wheelbase mm [E] | 1065 | 1075 | 1075 | 1095 | 1130 | 1055 | 1065 | 1095 | 1100 |
| Bottom bracket drop mm [F] | 60 | 80/60 | 80/55 | 80/55 | 80 | 60 | 60 | 55 | 55 |
| Head tube angle ° [G] | 70 | 70.5 | 71.5 | 71.5 | 72 | 70 | 70.5 | 71 | 72 |
| Seat tube angle ° [H] | 73.5 | 73 | 72 | 72 | 72 | 74 | 73 | 72.5 | 72 |
| Stack mm [I] | 565 | 600/580 | 630/605 | 650/630 | 685 | 565 | 580 | 605 | 630 |
| Reach mm [J] | 385 | 395/390 | 400/395 | 410 | 415 | 390 | 400 | 405 | 410 |
| Stand over clearance mm [K] | 705 | 765/760 | 815/810 | 855/850 | 890 | 705 | 745 | 795 | 835 |
| Stand over clearance mm [K] Trapez** | 535 | 555 | 590 | - | - | - | - | - | - |
| Stand over clearance [K] Xpress Trapez** | 590 | 590 | 590 | - | - | - | - | - | - |
| max. payload rack kg | 40 | 40 | 40 | 40 | 40 | 40 | 40 | 40 | 40 |
| Gross load weight kg | 160 | 160 | 160 | 160 | 160 | 160 | 160 | 160 | 160 |
| Wheel size " | 29 | 29 | 29 | 29 | 29 | 26 | 26 | 26 | 26 |
| Headset size S.H.I.S. | 28,6 (11/8") | 28,6 (11/8") | 28,6 (11/8") | 28,6 (11/8") | 28,6 (11/8") | 28,6 (11/8") | 28,6 (11/8") | 28,6 (11/8") | 28,6 (11/8") |
| Seat post diameter mm | 27,2 | 27,2 | 27,2 | 27,2 | 30,9 | 27,2 | 27,2 | 27,2 | 27,2 |

* available in frame sizes M and L / ** available in frame sizes S, M and L / *** available in frame sizes M, L, XL and XXL / **** available in frame sizes M, L and XL
All data and measurements are rounded and subject to change. Stand over clearance is approximate and depending on the respective tires.



- A Seat tube length
- A1 Seat tube length
- B Top tube length
- C Head tube
- D Chainstay length
- E Wheelbase
- F Bottom bracket drop
- G Head tube angle
- H Seat tube angle
- I Stack
- J Reach
- K Stand over clearance

| 5TH AVENUE / GT 5TH AVENUE XPLORE* | | | | TANAMI / GT TANAMI XPLORE**** | | | GRANDE ROUTE GRANDE ROUTE XCR* | | | PANAMERICANA XPLORE TRAIL | | |
|---------------------------------------|-----------------|-----------------|-----------------|----------------------------------|-----------------|-----------------|-----------------------------------|-----------------|-----------------|------------------------------|----------------------|----------------------|
| S | M | L | XL | M | L | XL | M | L | XL | M | L | XL |
| 460 | 510 | 560 | 610 | 510 | 560 | 610 | 530 | 580 | 630 | 500 | 540 | 570 |
| 400 | 450 | 500 | 550 | 450 | 500 | 550 | 470 | 520 | 570 | 440 | 480 | 510 |
| - | - | - | - | - | - | - | - | - | - | - | - | - |
| - | - | - | - | - | - | - | - | - | - | - | - | - |
| 550 | 575 | 595 | 615 | 580 | 600 | 620 | 565 | 585 | 605 | 570 | 590 | 610 |
| 120 | 135 | 165 | 185 | 135 | 165 | 185 | 150 | 175 | 200 | 130 | 155 | 170 |
| 440 | 440 | 455 | 455 | 455 | 455 | 455 | 435 | 440 | 450 | 440 | 440 | 440 |
| 1055 | 1065 | 1095 | 1100 | 1075 | 1080 | 1100 | 1035 | 1050 | 1075 | 1085 | 1100 | 1115 |
| 60 | 60 | 55 | 55 | 80 | 80 | 80 | 70 | 70 | 70 | 30 | 30 | 30 |
| 70 | 70,5 | 71 | 72 | 70,5 | 71 | 71,5 | 71,5 | 72 | 72 | 69 | 69 | 69 |
| 74 | 73 | 72,5 | 72 | 73 | 72,5 | 72,5 | 73 | 72,5 | 72 | 73,5 | 73,5 | 73,5 |
| 565 | 580 | 605 | 630 | 600 | 630 | 650 | 610 | 635 | 655 | 545 | 565 | 585 |
| 390 | 400 | 405 | 410 | 395 | 400 | 415 | 380 | 385 | 390 | 410 | 420 | 435 |
| 725 | 765 | 815 | 855 | 750 | 805 | 850 | 780 | 820 | 865 | 760 | 795 | 820 |
| - | - | - | - | - | - | - | - | - | - | - | - | - |
| - | - | - | - | - | - | - | - | - | - | - | - | - |
| 40 | 40 | 40 | 40 | 40 | 40 | 40 | 40 | 40 | 40 | 40 | 40 | 40 |
| 160 | 160 | 160 | 160 | 160 | 160 | 160 | 130 | 130 | 130 | 160 | 160 | 160 |
| 28 | 28 | 28 | 28 | 29 | 29 | 29 | 28 | 28 | 28 | 26/27,5 | 26/27,5 | 26/27,5 |
| 28,6 (11/8") | 28,6 (11/8") | 28,6 (11/8") | 28,6 (11/8") | 28,6 (11/8") | 28,6 (11/8") | 28,6 (11/8") | 28,6 (11/8") | 28,6 (11/8") | 28,6 (11/8") | ZS44/28,6 EC44/40 | ZS44/28,6 EC44/40 | ZS44/28,6 EC44/40 |
| 27,2 | 27,2 | 27,2 | 27,2 | 27,2 | 27,2 | 27,2 | 27,2 | 27,2 | 27,2 | 30,9 | 30,9 | 30,9 |